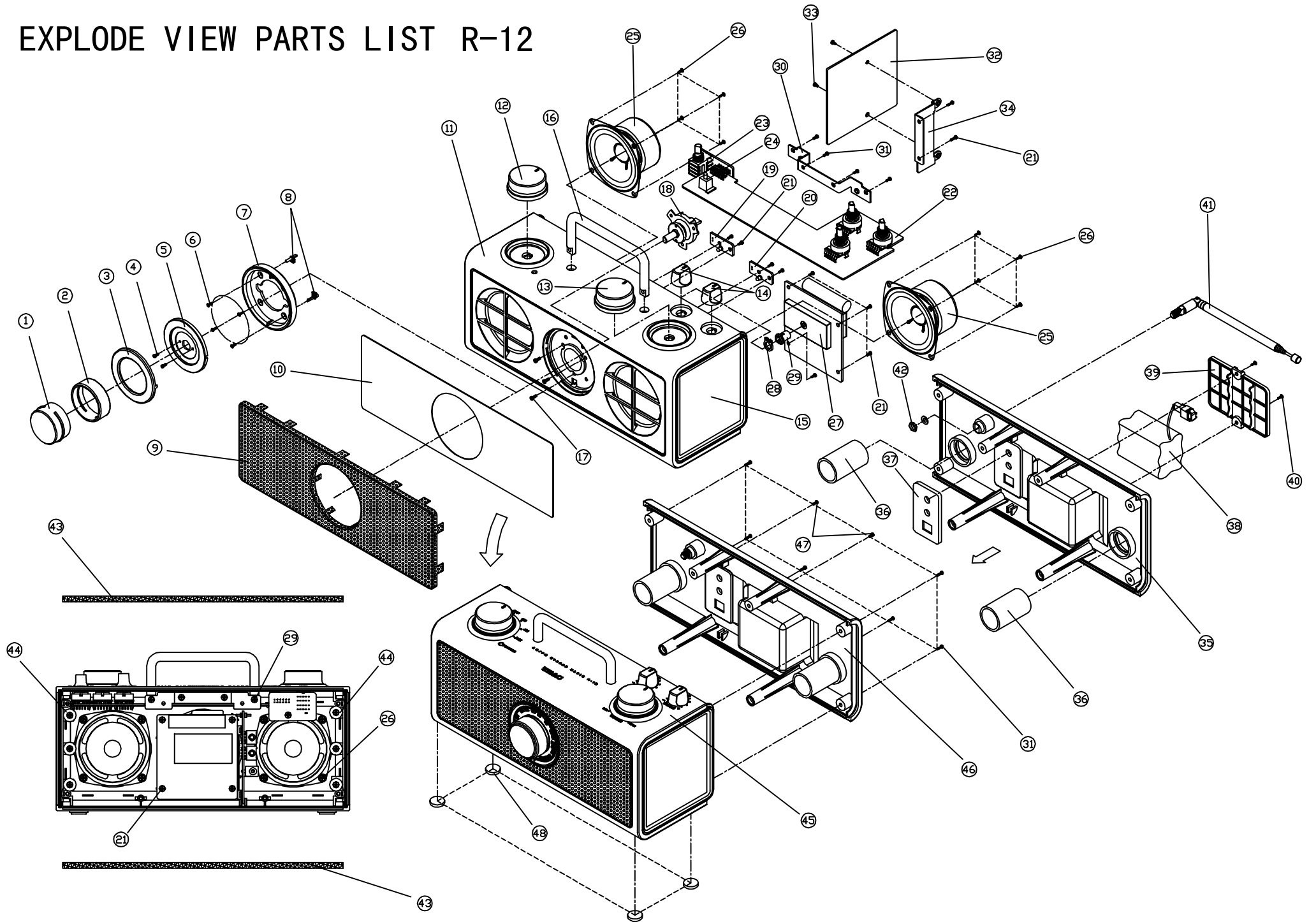


EXPLODE VIEW PARTS LIST R-12



R-12 EXPLODE VIEW-1 PARTS LIST

NO	PART NO	DESCRIPTION	REMARK
1-1	004-SR100100	TUNER KNOB	
1-2	037-SR100000	TUNER KNOB RUBBER	
1-3	020-SR100400	TUNER SCALE PLATE	UL/CSA
	020-R1EU0200	TUNER SCALE PLATE	EUR/UK
1-4	022-22006031	SCREW ϕ 2X6MM BM NI HD	
1-5	010-SR100100	TUNER SCALE BASE	
1-6	023-33010031	SCREW ϕ 3X10MM KB NI HD	
1-7	010-SR100201	ANALOG TUNER RING	
1-8	007-SR100200	TUNER LED LENS	
1-9	020-R12B0200	SPEAKER METAL NET (BLACK)	
	020-R12S0200	SPEAKER METAL NET (SILVER)	
1-10	051-R1200000	FRONT PANEL HIMERON	
1-11	001-R12B0100	FRONT PANEL (BLACK)	UL/CSA
	001-R12W0100	FRONT PANEL (WHITE)	UL/CSA
	001-R12B0101	FRONT PANEL (BLACK)	EUR/UK
	001-R12W0101	FRONT PANEL (BLACK)	EUR/UK
1-12	004-R12B0100	FUNCTION KNOB (BLACK)	
	004-R12S0100	FUNCTION KNOB (SILVER)	
1-13	004-SR100200	VOLUME KNOB (BLACK)	
	004-SR100201	VOLUME KNOB (SILVER)	
1-14	004-SR100400	BASS/TREBLE KNOB (BLACK)	
	004-SR100401	BASS/TREBLE KNOB (SILVER)	
1-15	001-R12B0300	SIDE PANEL R/L(BLACK)	
	001-R12S0300	SIDE PANEL R/L(SILVE)	
1-16	011-SR100300	METAL HANDLE (BLACK)	
	011-SR100301	METAL HANDLE (SILVE)	
1-17	022-23008031	SCREW ϕ 3X8MM BM NI HD	
1-18		TUNER SHAFT ASS'Y	
1-19	100-SR102060	FM LED PCB ASS'Y	
1-20	100-SR102050	AM LED PCB ASS'Y	
1-21	023-23010033	SCREW ϕ 3X10MM BB BLACK HD	
1-22	100-R1202030	EQ/VOLUME PCB ASS'Y	UL/CSA /EUR
1-23	100-SR102070	FUNCTION SWITCH PCB ASS'Y	
1-24	007-SR100100	POWER LED LENS	
1-25	061-SR100400	SPEAKER 2.5" 4 OHM 5-8W	
1-26	024-43008033	SCREW ϕ 3x8MM PWA BLACK HD	
1-27	100-SR102020	TUNER PCB ASS'Y	UL/CSA
	100-SR101020	TUNER PCB ASS'Y	EUR
1-28	029-06007013	SPRING RING	
1-29	010-SR100300	TUNER SHAFT CAP	
1-30	011-OR120200	METAL HANDLE BKT	
1-31	023-23012033	SCREW ϕ 3X12MM BB BLACK HD	
1-32	100-R1202010	MAIN PCB ASS'Y	
1-33	022-23006032	SCREW ϕ 3X6MM BM ZMC HD	
1-34	011-OR120100	MAIN PCB BKT	
1-35	001-R12B0200	REAR PANEL (BLACK)	
	001-R12W0200	REAR PANEL (WHITE)	
1-36	044-R1200001	SPEAKER PAPER TUBE ϕ 24X ϕ 20X40MM	
1-37	035-R1200012	BACK PANEL EVA SHEET	
1-38	099-4500R121	AA SIZE NI-MH BATTERY PACK 6PIECES 1600mA/H	
1-39	003-R12B0100	BATTERY COVER (BLACK)	UL/CSA
	003-R12W0100	BATTERY COVER (WHITE)	UL/CSA
	003-R12BY101	BATTERY COVER (BLACK)	EUR/UK-Y
	003-R12BN101	BATTERY COVER (BLACK)	EUR-N
	003-R12WY101	BATTERY COVER (WHITE)	EUR/UK-Y
	003-R12WN101	BATTERY COVER (WHITE)	EUR-N
1-40	023-23010033	SCREW ϕ 3X10MM BB BLACK HD	
	023-23010031	SCREW ϕ 3X10MM BB NI HD	
1-41	089-00000017	FM ROD ANTENNA	
1-42	013-60000101	HEXAGON NUT M6 NI	
1-43	035-R1200002	EVA SHEET	
1-44	021-43010032	SCREW ϕ 3X10MM PWT ZMC HD	
1-45		FRONT PANEL ASS'Y	
1-46		REAR PANEL ASS'Y	
1-47	022-23008033	SCREW ϕ 3X8MM BM BLK HD	
1-48	037-SR100100	RUBBER FOOT	

A

B

C

D

E

